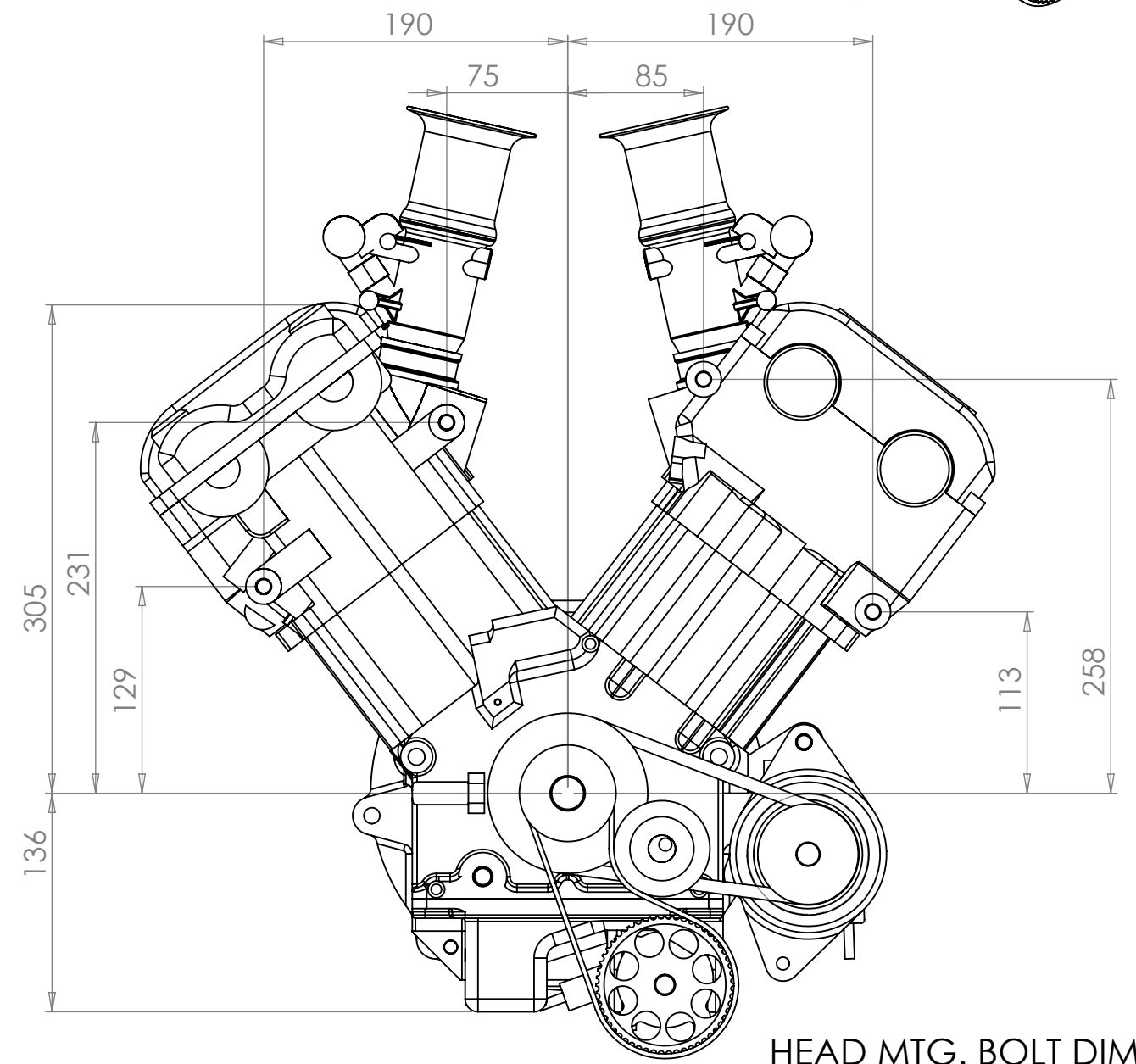
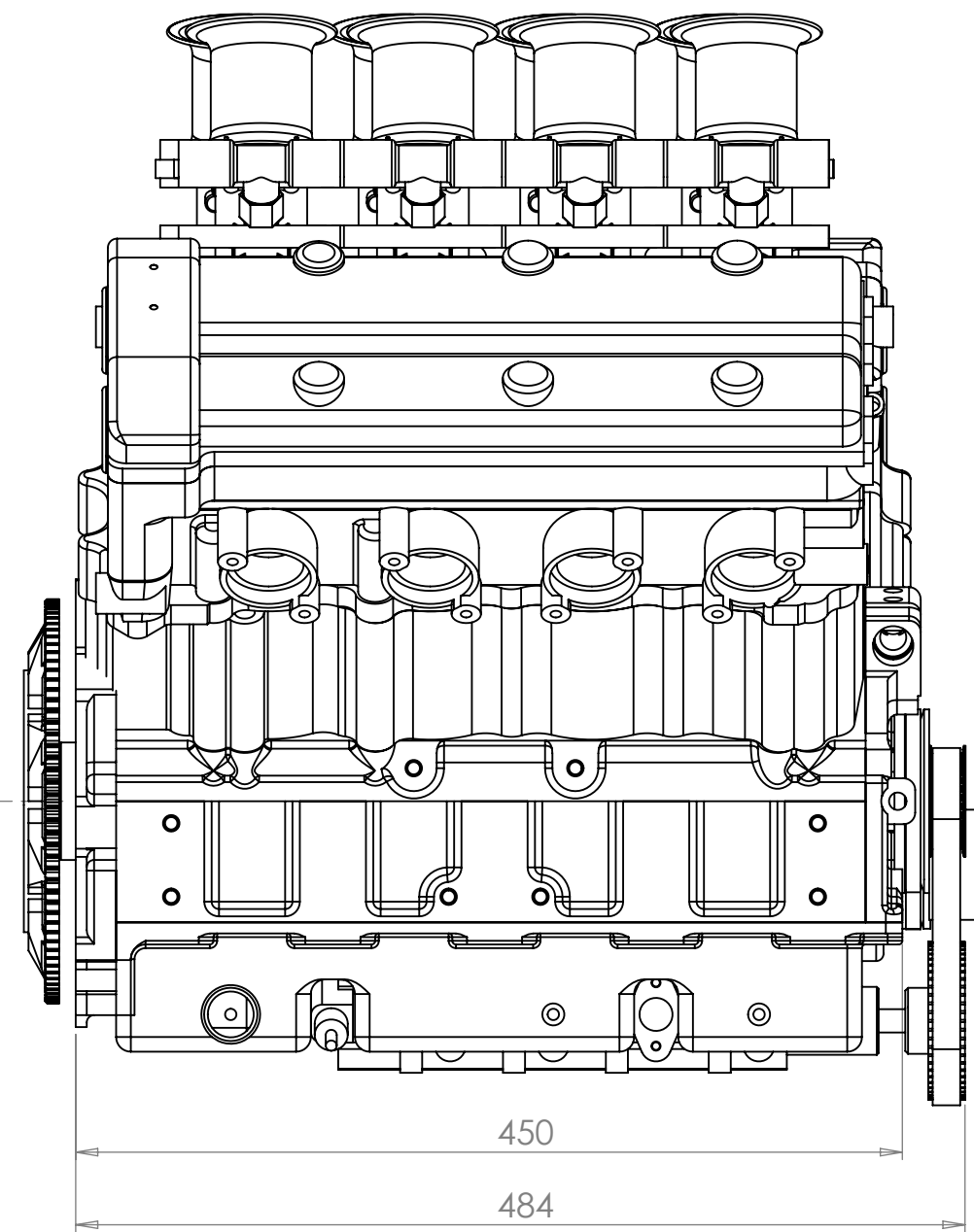


HEAD MTG. BOLT DIM.
FOR 10mm BOLTS



HEAD MTG. BOLT DIM.
FOR 10mm BOLTS

2.8 LITER H1 ENGINE WITH LOWER PUMP POSITION FOR XTRAC TRANSVERSE 516 BOX (fwd). A SHALLOW SUMP AND SIDE MOUNTED PUMP IS AVAILABLE TO REDUCE THE CRANK TO BOTTOM DIMENSION.

PROPRIETARY AND CONFIDENTIAL
THE INFORMATION CONTAINED IN THIS DRAWING IS THE SOLE PROPERTY OF <INSERT COMPANY NAME HERE>. ANY REPRODUCTION IN PART OR AS A WHOLE WITHOUT THE WRITTEN PERMISSION OF <INSERT COMPANY NAME HERE> IS PROHIBITED.

		UNLESS OTHERWISE SPECIFIED:		NAME	DATE
		DIMENSIONS ARE IN INCHES		DRAWN	
		TOLERANCES:		CHECKED	
		FRACTIONAL ±		ENG APPR.	
		ANGULAR: MACH ±		MFG APPR.	
		TWO PLACE DECIMAL ±		Q.A.	
		THREE PLACE DECIMAL ±		COMMENTS:	
		INTERPRET GEOMETRIC TOLERANCING PER:			
		MATERIAL			
		FINISH			
NEXT ASSY	USED ON				
APPLICATION		DO NOT SCALE DRAWING			
				TITLE:	
		SIZE	DWG. NO.	REV	
		C	H1 V8 ENGINE		
		SCALE: 1:4	WEIGHT:	SHEET 1 OF 1	